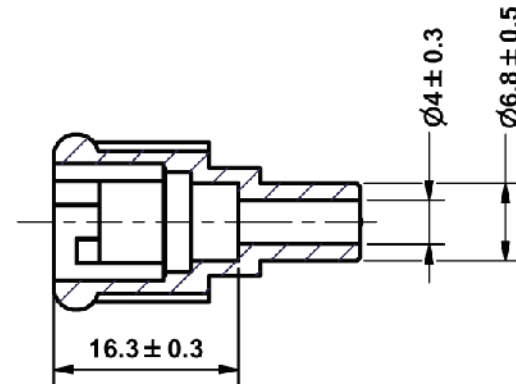
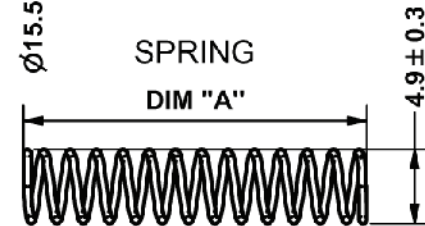
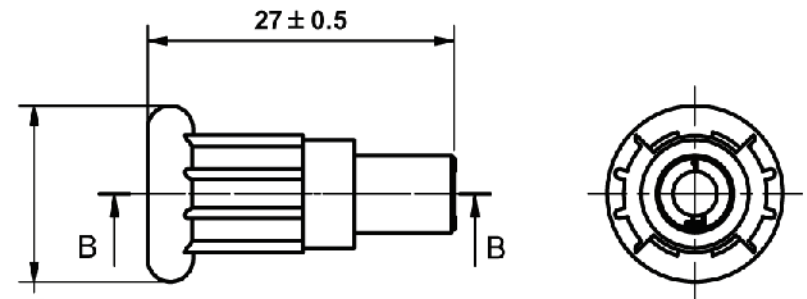


A-A SECTIONAL:



B-B SECTIONAL:



UNLESS OTHERWISE SPECIFIED  
DIMENSIONS ARE IN MM  
TOLERANCE  
DECIMALS ANGULAR  
X ± 0.5 ± 2'  
XX ± 0.25  
DO NOT SCALE DRAWING

FUSE SIZE	SPRING SIZE DIM "A"
Ø6.35x16~25mm	36 ± 2.0
Ø6.35x30~36mm	22 ± 2.0

**IN-LINE FUSEHOLDER BAYONET TYPE**

Specifications:

Applicable: For 3AG Fuse Type AGC, SFE, JSO and MFA

Insulating Body: PP / PA66 (White / Black)

Contacts: Brass

DCC. NO.
A4 DRAWING NO.