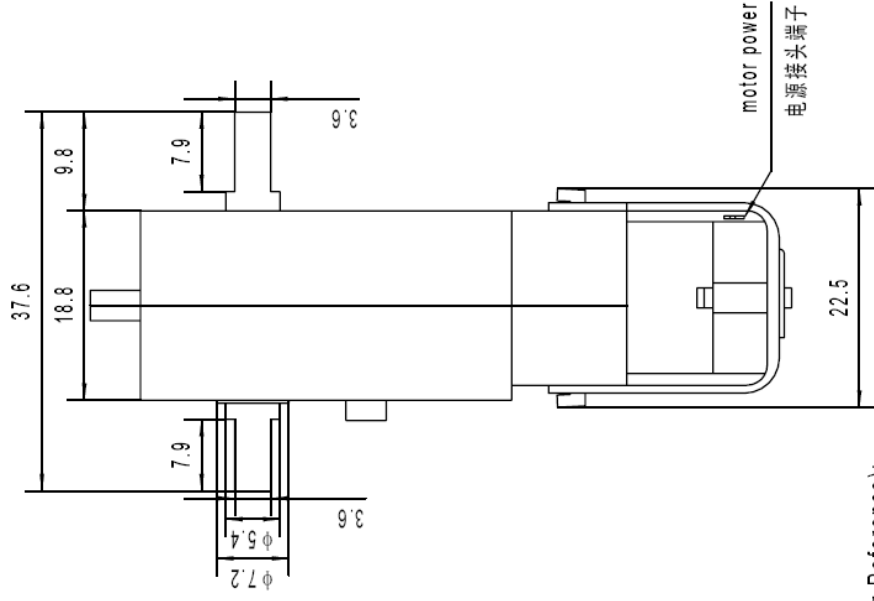
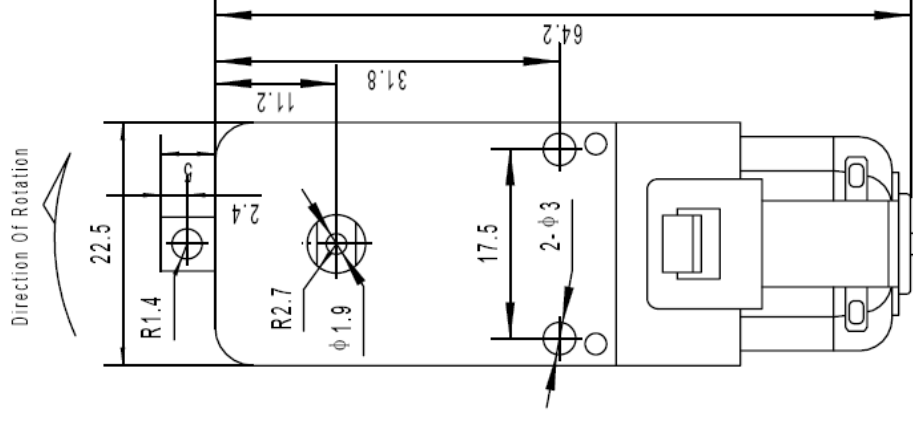


# MOT-300 GEAR MOTOR



GEAR BOX Specification(For Reference):

Suggested Voltage: 4.5V DC

- 1、 No Load Speed:  $90 \pm 10$ rpm
- 2、 No Load Current: 190mA (250mA MAX)
- 3、 Allowable max. Torque: 800gf.cm min